

FIRE RATED ACCESS PANEL

4hr fire rated wall access panel

DESCRIPTION

Hinged or screw-fixed wall access panel suitable for installation in masonry walls with a pressed metal frame or T-section frame, with a -/240/60 or -/240/120 fire rating.

APPLICATIONS

Shops, offices, apartments, factories and any application where access needs to be achieved through a fire rated wall.

FEATURES

- Insulated for 60 or 120 minutes
- Ply facing
- Suitable for masonry or concrete walls.
- Screw-fixed at 500mm centres on all sides, or hinged with budget locks at 500mm centres on lock side. (see table and note below).
- 48mm or 73mm thick
- Hot smoke seals included. Medium smoke seals and acoustic seals available (optional).
- Standard 4-sided pressed metal door frame with 25mm doorstops available in a variety of profiles (see *fire rated frame profiles*), or
- T-Section frame available (screw-fix only) comprised of 2 welded 25mm x 25mm x 3mm steel angles.
- Single leaf configurations only

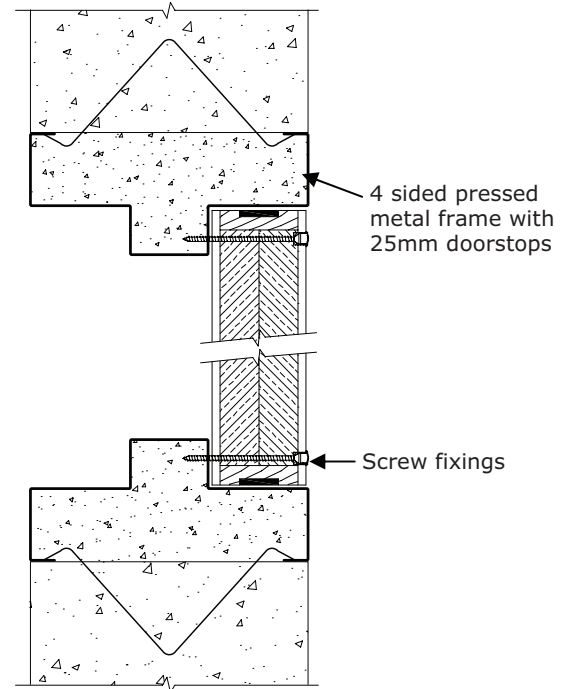
Model	FRL	Thickness (mm)	Max Size (mm)
PWAP-240/60	-/240/60	48	2400 x 1000
PWAP-240/120#	-/240/120#	73	2400 x 1000

#only available in screw-fixed.

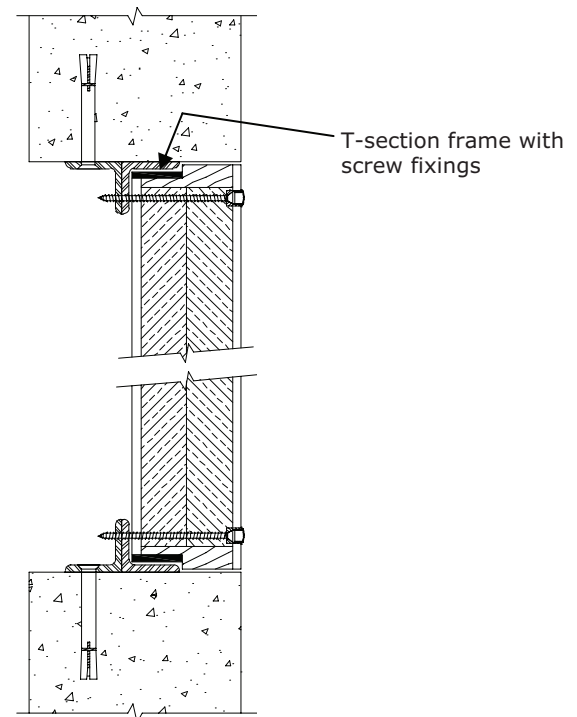
HOW TO SPECIFY

"Eg. Access panel to be a Pyropanel fire rated wall access panel PWAP-240/60*, 48mm* thick, -/240/60*, Ply faced, screw-fixed".

* denotes example - delete, change or specify as required



Wall panel with pressed metal door frame



Wall panel with T-Section frame

Pyropanel Developments Pty Ltd

235 Huntingdale Road, Oakleigh, Vic 3166
 Ph: (03) 9837 8500 Fax: (03) 9837 8550
 Email: sales@pyropanel.com.au
 Web: www.pyropanel.com.au



Distributed by:

Australian Commercial Doors

P: (03) 9720 5766

F: (03) 9720 5388

E: sales@acddoors.com.au