

# ACCESSORIES

## Pyropanel Auto Latch

**TECH SHEET:** ACC-02

Issue: 03-08-2010

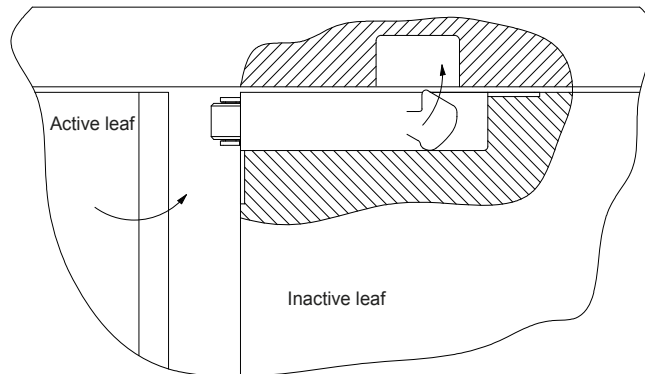
**Latching mechanism for non-active leaf in Pyropanel Fire Rated Pair Doorsets**

### DESCRIPTION

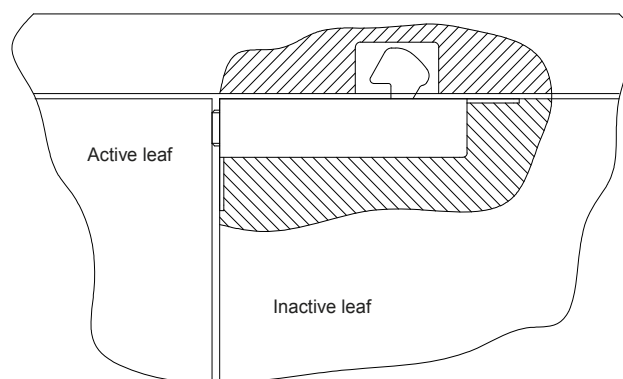
Automatic latching bolt for fire door pairs which is recessed into the head of the non active leaf, and automatically bolts the non-active leaf when the active leaf returns to the closed position.

### FEATURES

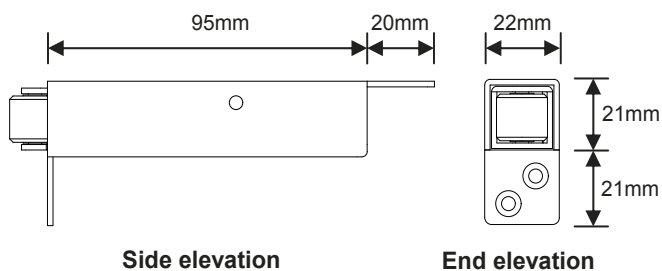
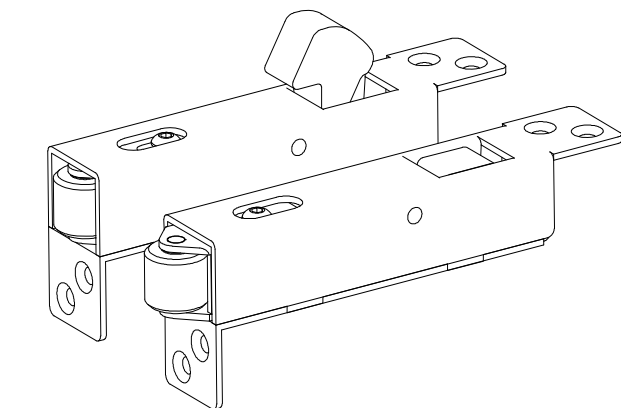
- Suitable for Pyropanel Fire Rated pair doorsets.
- Designed to securely hold the inactive leaf closed in the event of a fire scenario.
- Fire Rated up to 4 hrs.
- Fail safe.
- Manufactured in Australia.
- Easy to install.
- Head of the door frame requires a rectangular hole.



Front elevation showing disengaged Auto latch with active door leaf open



Front elevation showing engaged Auto latch after active door leaf is closed



Side elevation

End elevation

### HOW TO SPECIFY

*"Pyropanel Fire Rated Doorset Pair to include Pyropanel Fire Rated Auto Latch to inactive leaf"...*



**Pyropanel Developments** Pty Ltd  
122-124 Beresford Rd, Lilydale, VIC, 3140  
Ph: (03) 9739 3100 Fax: (03) 9739 3115  
Email: sales@pyropanel.com.au  
Web: www.pyropanel.com.au

**Distributed by:**



**Australian Commercial Doors Pty Ltd**  
P: 03 9720 5766  
F: 03 9720 5388  
sales@acdoors.com.au