

FIRE RATED ACCESSORIES

Pyropanel Roller Latch

DESCRIPTION

Fire-activated 'hold-close' latch suitable for Pyropanel fire rated doorsets.

APPLICATIONS

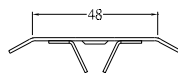
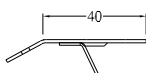
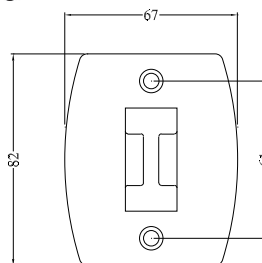
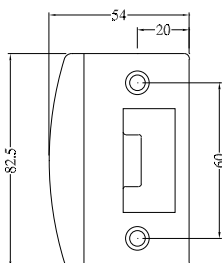
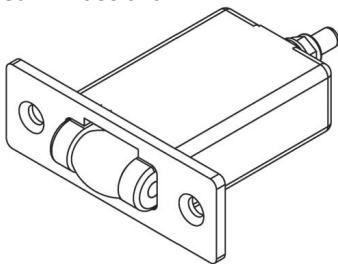
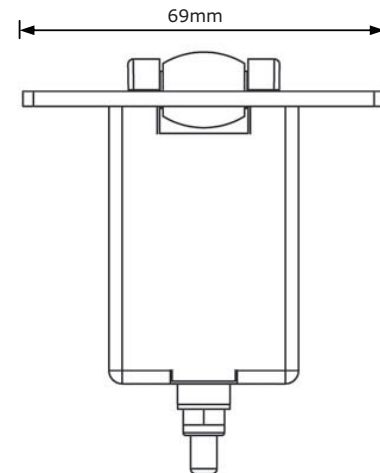
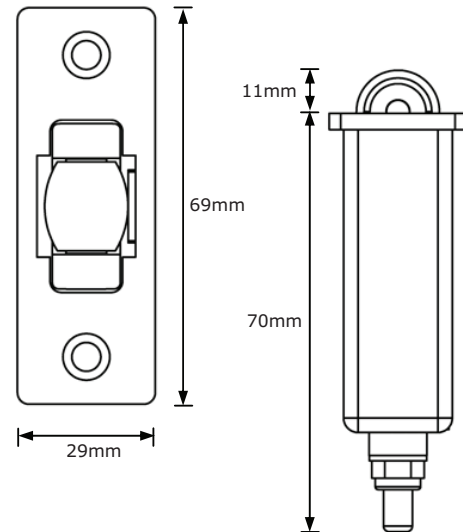
Approved for use in the following locations on most Pyropanel fire doors:

- the heads of pair leaf side-hung (hinged) doors,
- the heads of pair leaf double-acting (pivot) doors,
- the lock stile of single leaf double-acting (pivot) doors. (refer to techsheet ACC-09 for hardware and latching requirements for Pyropanel fire doors).

The Roller Latch may also be used as a primary latch in conjunction with other locks/latches which are approved only as a supplementary latch.

FEATURES

- Designed to securely hold the fire door leaf closed in the event of a fire, yet permitting door travel during non-fire conditions without turning a lever/knob.
- Pyropanel Roller Latch (DHLR) must be used with custom designed Pyropanel single-action striker (DHLRSS) for single-action doors, or double-action striker (DHLRDB) for double-action doors (products are supplied separately).
- Fire Rated up to 4 hrs on Pyropanel fire doors.
- Manufactured in Australia.



Single Striker: DHLRSS

Double Striker: DHLRDB

HOW TO SPECIFY

"Pyropanel Fire Rated Doorset to include Pyropanel Fire Rated Roller Latch and Single/Double* action Striker".

* Single for Side-hung (hinged) doors. Double for double-action (pivot) doors.

Product Codes:

Roller Latch: DHLR
 Single Striker: DHLRSS
 Double Striker: DHLRDB

Pyropanel Developments Pty Ltd

235 Huntingdale Rd, Oakleigh, Vic 3166
 Ph: (03) 9837 8500 Fax: (03) 9837 8550
 Email: sales@pyropanel.com.au
 Web: www.pyropanel.com.au



Distributed by: Australian Commercial Doors

P: (03) 9720 5766
 F: (03) 9720 5388
 E: sales@acddoors.com.au