

# ACCESSORIES

## Pyropanel Pyrosill

### DESCRIPTION

An aluminium floor mounted threshold seal incorporating a silicone based seal that reduces the passage of sound and smoke.

### APPLICATIONS

Commercial and domestic applications requiring a high performance acoustic and smoke seal. Has been tested with Pyropanel Acoustic doors for up to 47Rw of acoustic resistance.

### FEATURES

- Slimline design - only 12.5mm high
- Replaceable rubber seal
- Easy to install

### CLEARANCES

Max clearance under door before installing Pyrosill = 8mm

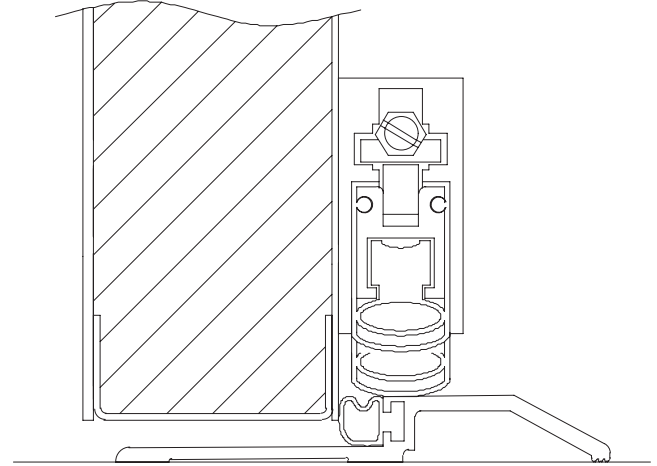
Min clearance under door before installing Pyrosill = 4mm

Max clearance under door to Pyrosill = 5mm

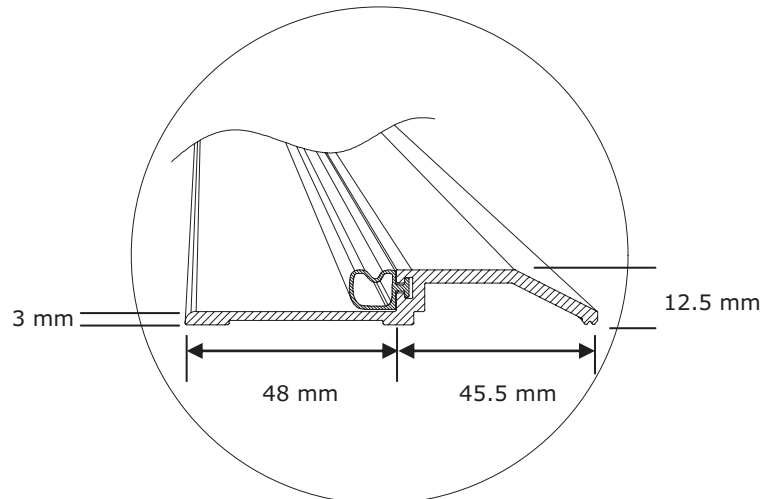
Min clearance under door to Pyrosill = 1mm

### HOW TO SPECIFY

"Door seal to be a Pyropanel Pyrosill acoustic & smoke threshold seal..."



Example of Pyrosill installed at base of Pyropanel AS-SPECIAL-B acoustic door with Zero 367A, tested to 47Rw acoustic rating.



### Pyropanel Developments Pty Ltd

235 Huntingdale Rd, Oakleigh, Vic 3166

Ph: **(03) 9837 8500** Fax: (03) 9837 8550

Email: [sales@pyropanel.com.au](mailto:sales@pyropanel.com.au)

Web: [www.pyropanel.com.au](http://www.pyropanel.com.au)



### Distributed by:

**Australian Commercial Doors**

P: **(03) 9720 5766**

F: **(03) 9720 5388**

E: [sales@acdoors.com.au](mailto:sales@acdoors.com.au)

Pyropanel Developments has a policy of continuous improvement and reserves the right to change methods and specifications without notice.

Note: *The Tech Sheet is an uncontrolled document, If printed please refer to the Tech-Sheet on the website to check if this document is valid.*