

60 minute fire rated 28 Rw Single Acoustic / Smoke / Fire door**DESCRIPTION**

Pyropanel AS-28-PAN(ii) is a 28 Rw, 1 hour fire rated 48mm single leaf acoustic door that utilises a Raven RP47 perimeter seal and a RP99sc bottom seal.

APPLICATIONS

Ideal for applications requires 60 minutes of fire resistance and an acoustic rating of 28 Rw.

FEATURES**Acoustic Rating**

- 28 Rw

Fire Resistance

- FRL -/60/30

Smoke Resistance

- Meets the NCC requirements for a smoke door.

Door Configuration

- Single leaf hung in a steel or timber frame.

Perimeter Seal

- Raven RP47si

Bottom Seal

- Raven RP99si

Thickness

- 48mm (Nominal)

Size

- Maximum Size - 2420 x 1020mm or 2200 x 1120mm (-/60/30)

Hinges

- Minimum 3 steel hinges

Frame

- Pyropanel KDHW timber or packed pressed steel frame

Finish

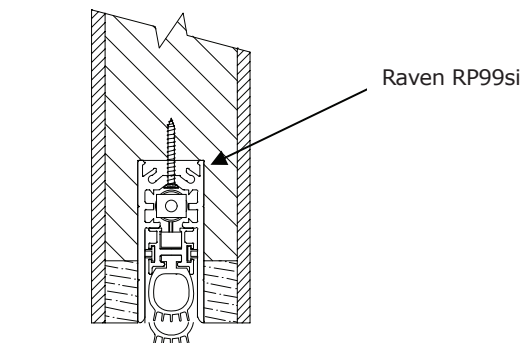
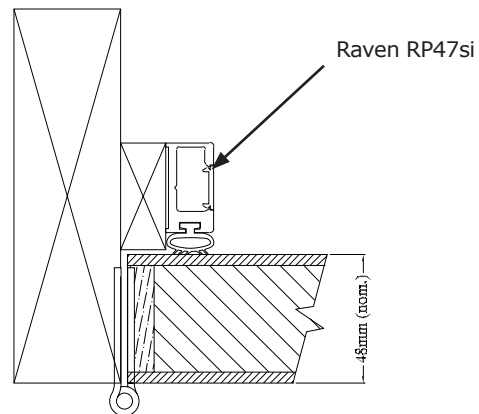
- MDF as standard

OPTIONAL EXTRAS

- Pre-hung in steel or timber frame.
- Ply, Veneer, Steel or Laminate facings.
- Vision panels—300 x 200 or 600 x 100mm.
- Kick Panels of 1mm Stainless Steel to selected height.

INSTALLATION

Door frame must be tightly sealed against wall structure using Pyropanel Multiflex fire and acoustic sealant. Steel door frames will require packing with Pyropanel FR board, fire rated plasterboard, pyropanel M4 leight weight mortar concrete or mortar to achieve desired acoustic rating.

**HOW TO SPECIFY**

"Door to be a Pyropanel AS-28-PAN(ii) acoustic door with -/60/30* FRL, installed into a Pyropanel Fire rated timber / filled steel* door frame"

* denotes example - delete, change or specify as required

Pyropanel Developments Pty Ltd

Unit 1, 97 Lewis Rd, Wantirna South, Vic 3152

Ph: (03) 9837 8500 Fax: (03) 9837 8550

Email: sales@pyropanel.com.au

Web: www.pyropanel.com.au

Pyropanel Developments has a policy of continuous improvement and reserves the right to change methods and specifications without notice.

Note: The Tech Sheet is an uncontrolled document, If printed please refer to the Tech-Sheet on the website to check if this document is valid.

Distributed by:

Australian Commercial Doors

P: (03) 9720 5766

F: (03) 9720 5388

E: sales@acdoors.com.au

