

ACOUSTIC DOOR

AS-BLOCK-A

TECH SHEET: AS-BLOCK-A

Issue: 02-02-2012

Non fire rated 33 Rw single acoustic / smoke door

DESCRIPTION

Pyropanel AS-BLOCK-A is a 33 Rw non fire rated 48mm single leaf acoustic door. This door comes standard with Ply facings covering a lead lined core.

APPLICATIONS

Ideal for applications that require no fire resistance, but require smoke resistance and an acoustic rating of 33 Rw, such as acoustic smoke doors in hospitals, schools and offices.

FEATURES

Acoustic Rating

- 33 STC

Test Certificate number

- RMIT 121/131/KC

Smoke Resistance

- Meets the BCA requirement for a smoke door

Door Configuration

- Single leaf, hung in a steel frame

Thickness

- 48mm (Nominal)

Size

- Maximum Size - 2400 x 1200

Hinges

- Minimum 3 steel hinges

Frame

- KDHW Timber or packed pressed metal frame

Finish

- PLY over lead as standard

Seal Combinations

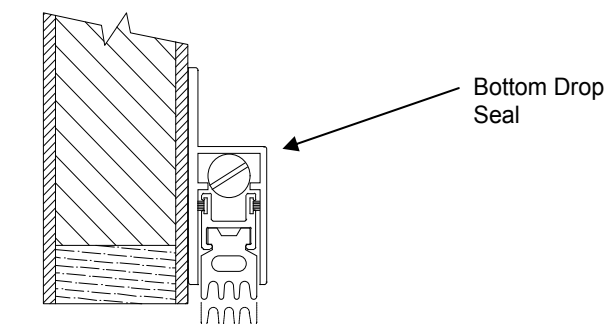
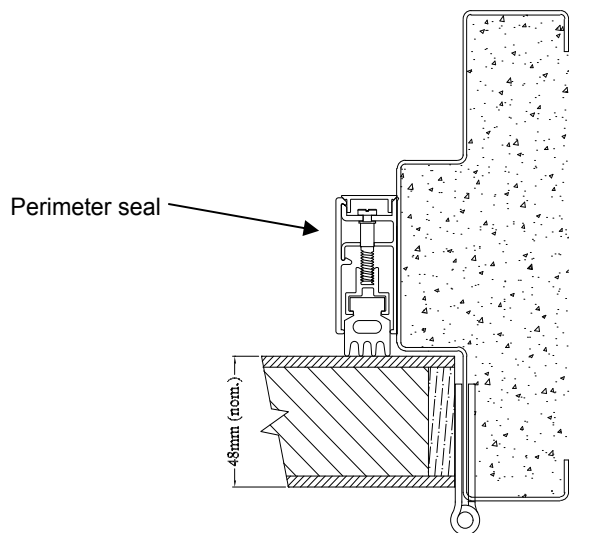
Door Type	Perimeter	Bottom	Rw
AS-BLOCK-A1	RP24	RP38	33

OPTIONAL EXTRAS

- Pre-hung in timber or steel frame
- Veneer or Laminate facings can be applied over ply face
- Vision panels - 300 x 200 or 600 x 100mm.
- Kick Panels of 1mm Stainless Steel to selected height

INSTALLATION

Door frame must be tightly sealed against wall structure using Pyropanel Multiflex or an approved alternative and acoustic sealant. Metal door frames will require packing with Pyropanel FR board, Plasterboard, concrete or mortar to achieve desired acoustic rating.



HOW TO SPECIFY

"Door to be a Pyropanel AS-BLOCK-A1 acoustic door installed into a timber* or packed metal door frame**"*

* denotes example—delete, change or specify as required