

ACOUSTIC DOOR

AS-SPECIAL-B

TECH SHEET: AS-SPECIAL-B

Issue: 02-02-2012

Non fire rated 47 Rw single acoustic / smoke door

DESCRIPTION

Pyropanel AS-SPECIAL-B is a 47 Rw, non fire rated 48mm single leaf acoustic door

APPLICATIONS

Ideal for applications that require no fire resistance but require smoke resistance and an acoustic rating of 47 Rw.

FEATURES

Acoustic Rating

- 47 Rw (46 STC)

Test Certificate number

- TL409(q)

Door Weight

- Approx 84 kg/m²

Fire Resistance

- Nil

Door Configuration

- Single leaf hung in a steel frame

Thickness

- 48mm (Nominal)

Size

- Maximum Size - 2400 x 1200

Hinges

- Minimum 4 heavy duty steel hinges, or continuous piano type hinge

Frame

- Pressed metal frame (back-grouted)

Finish

- Steel to both faces and edges

Seal Combinations

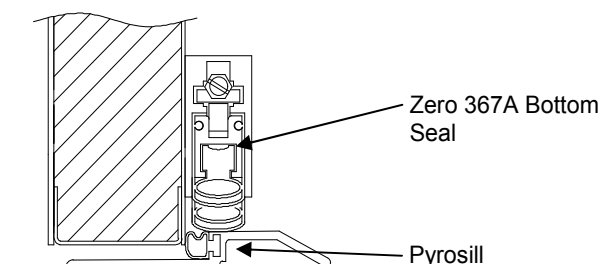
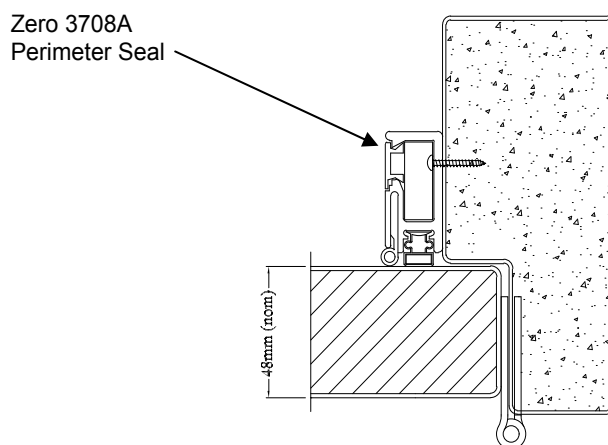
Door Type	Perimeter	Bottom	Rw
AS-SPECIAL-B1	Zero 3708A	Zero 367A + PYROSILL	47

OPTIONAL EXTRAS

- Pre-hung in steel frame
- Stainless steel faces
- Meets the BCA requirement for a smoke door.

INSTALLATION

This door is very heavy, and the frame must be securely attached to the wall structure. Frame must then be tightly sealed to the wall structure using Pyropanel Multiflex or an approved alternative acoustic sealant. Metal door frames will require packing with concrete or mortar to achieve the desired acoustic rating.



HOW TO SPECIFY

"Door to be a Pyropanel AS-SPECIAL-B1 acoustic door with Bullet resistance * installed in a packed pressed metal door frame*"*

* denotes example—delete, change or specify as required



Pyropanel Developments Pty Ltd
 122-124 Beresford Rd, Lilydale, VIC, 3140
 Ph: (03) 9739 3100 Fax: (03) 9739 3115
 Email: sales@pyropanel.com.au
 Web: www.pyropanel.com.au

Distributed by:



Australian Commercial Doors Pty Ltd
 P: 03 9720 5766
 F: 03 9720 5388
 sales@acdoors.com.au