

FIRE RATED GLAZING

Pyroceram -/240/- fire window

DESCRIPTION

Steel framed fire rated window providing up to four hours of integrity only protection, this system is a great solution for applications requiring certified fire resistance without the need for radiation protection, insulation protection, or the need for perfectly clear glass.

APPLICATIONS

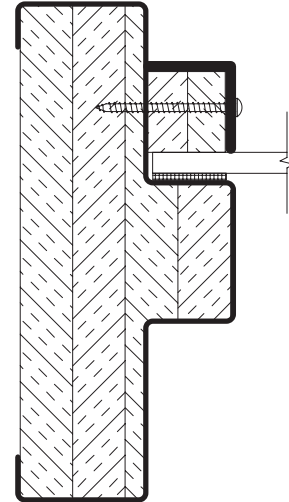
Car parks, factories and boundary walls, or wherever there is a need for integrity only protection without a requirement for protection against the spread of fire due to heat transfer. This glass does not provide any level of radiation protection and should not be used in an escape route or where occupants could be exposed to radiant heat.

FEATURES

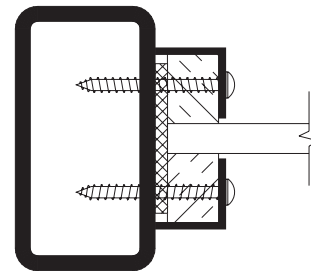
- Fully certified to Australian Standards
- -/60/-, -/120/-, -/240/- FRL depending on application and FRL of wall
- 5mm Pyroceram ceramic glass (slightly bronze colour in appearance)
- Pressed metal or RHS frame system
- NOTE: This glass has no impact rating to AS1288 (not suitable for applications requiring safety glass)
- For use in up to 2hr timber and steel stud walls, all fire rated masonry walls, gypsum block walls, aerated concrete blocks and wall panels. *Refer to Pyropanel if your wall type is not listed.*
- All frames must be fully packed with Rockwool, Pyropanel FR board, Fire rated plaster, Mortar or concrete
- For up to 4hr Fire rating (-/240/-) frame fixed to fire rated concrete walls and frames packed with fire rates mortar or concrete
- Single panes up to 1510 x 840 visible.
- For up to 2hr Fire rating (FRL -/120/-), Multi-lites with panes up to 1510 x 840 visible (total maximum assembly size:
 - 3300mm (h) x 1560mm (w) or
 - 1560mm (h) x 2700mm (w)

OPTIONAL EXTRAS

- Galvanised frames
- Stainless Steel frames
- Double glazing



Standard pressed metal window profile



Alternative RHS window profile
(not recommended for external applications)

MODELS AVAILABLE

Model	FRL Up to:	Glass Thickness	Max Visible Glass	Max Overall Frame Size (approx)
PFWS-PC240/-	-/240/-	5mm	1510 x 840	1640 x 970

HOW TO SPECIFY

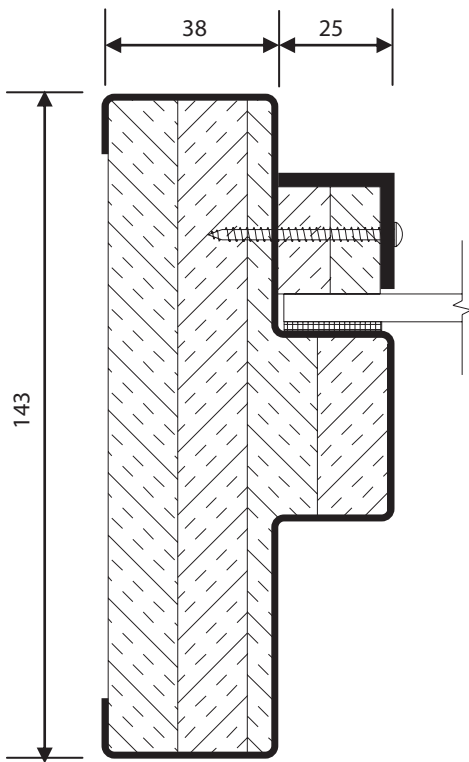
Eg, "Window to be a Pyropanel **PFWS-PC240/-** Certified -/240/- FRL* fire window, incorporating non impact rated 5mm Pyroceram glass, mounted in pressed metal window frame*, prime paint / powdercoat / stainless steel* finish, (builder to fully pack frame as required)"

* denotes example - delete, change or specify as required

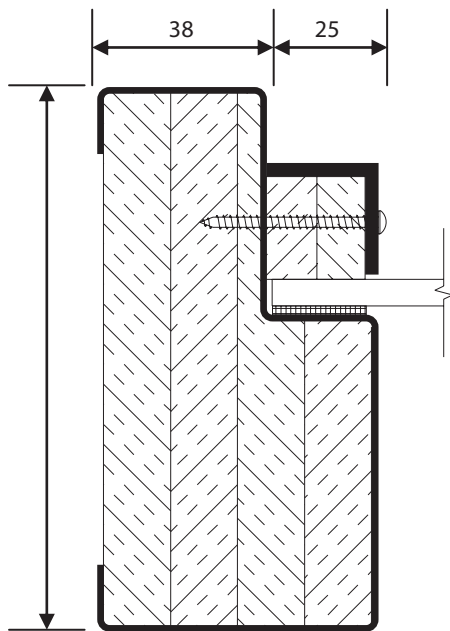
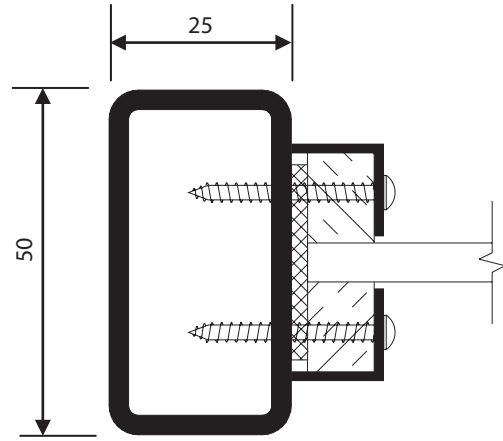
FIRE RATED GLAZING

Pyroceram -/240/- fire window

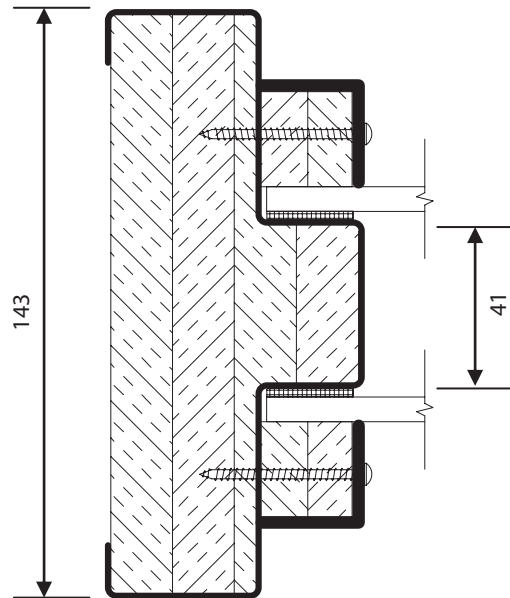
TYPICAL SECTIONS



Pressed metal double rebated window frame



Pressed metal single rebated window frame



Pyropanel Developments Pty Ltd

235 Huntingdale Rd, Oakleigh, Vic 3166
Ph: **(03) 9837 8500** Fax: (03) 9837 8550
Email: sales@pyropanel.com.au
Web: www.pyropanel.com.au



Distributed by:

Australian Commercial Doors

P: **(03) 9720 5766**

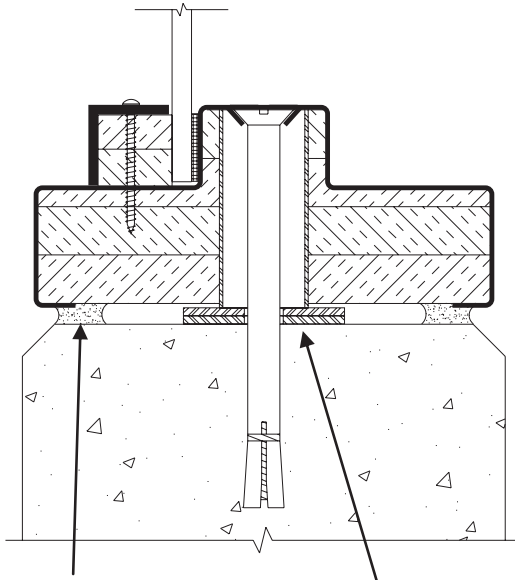
F: **(03) 9720 5388**

E: sales@acdoors.com.au

FIRE RATED GLAZING

Pyroceram -/240/- fire window

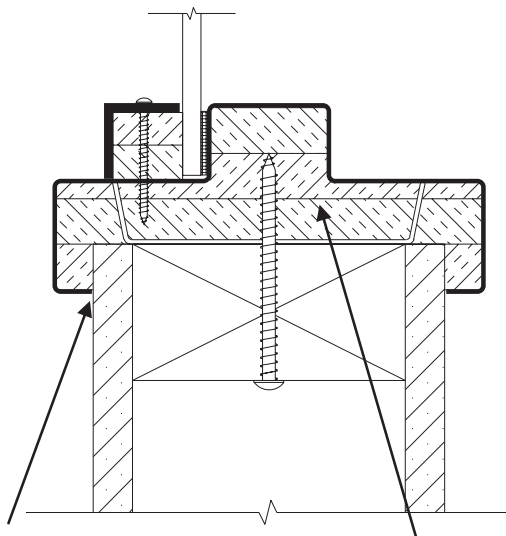
WALL ABUTMENTS AND BUILDING IN DETAILS



Pyropanel Multiflex fire rated mastic

Steel spacers

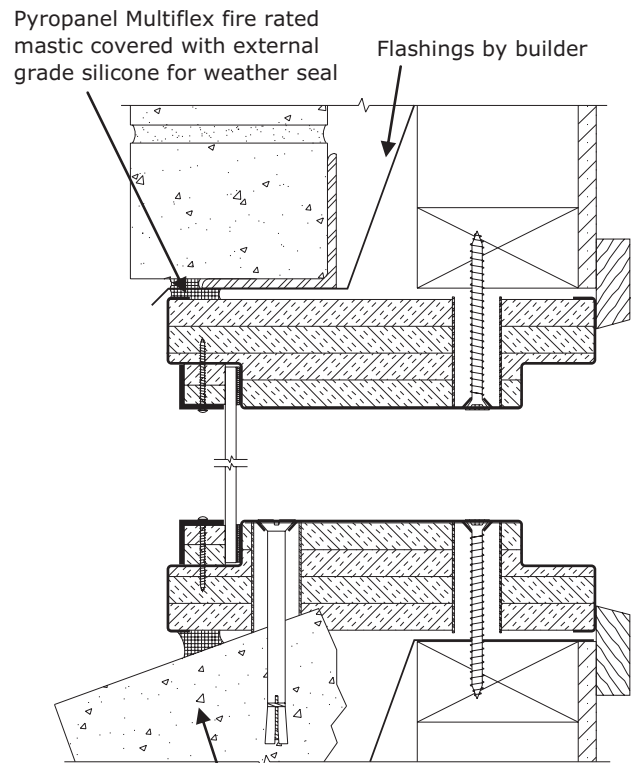
Typical wall fixing for masonry and pre-cast concrete walls



Seal all gaps with Pyropanel Multiflex fire rated mastic

Pyropanel FR board or Fire rated plaster

Typical wall fixing for Drywalls

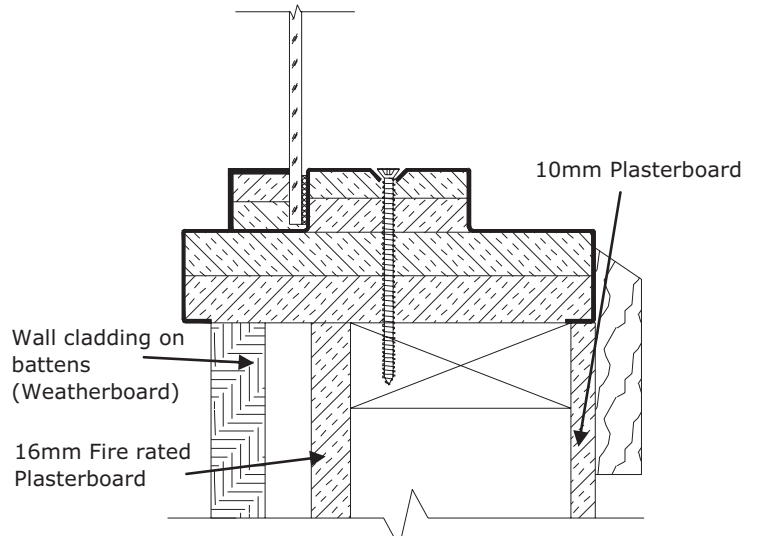


Pyropanel Multiflex fire rated mastic covered with external grade silicone for weather seal

Flashings by builder

Pyropanel Multiflex fire rated mastic covered with external grade silicone for weather seal

Suggested fixing detail for brick veneer applications (not tested).



Wall cladding on battens (Weatherboard)

16mm Fire rated Plasterboard

10mm Plasterboard

Ensure all gaps are tightly sealed with Pyropanel Multiflex fire rated sealant, and that the frames are fully packed with Pyropanel FR board, Fire rated plasterboard, mortar or concrete.

Typical wall fixing for Drywalls (-/60/- Fire window in 1hr Drywall)