

# FIRE RATED GLAZING

## Pyrostop -/60/60 and -/60/30 fire window

### DESCRIPTION

Insulated steel framed fire rated window providing one hour of integrity and insulation protection with perfectly clear Pilkington Pyrostop™ insulating glass, this system is a great solution for applications requiring certified fire resistance for both integrity and insulation and the added safety benefit of radiation protection.

### APPLICATIONS

Fire escapes, smoke lobbies, computer rooms, car parks and factories, boundary walls, domestic houses or wherever there is a need for integrity and insulation protection, with the need to protect the building and occupants against the spread of fire due to radiant heat transmission.

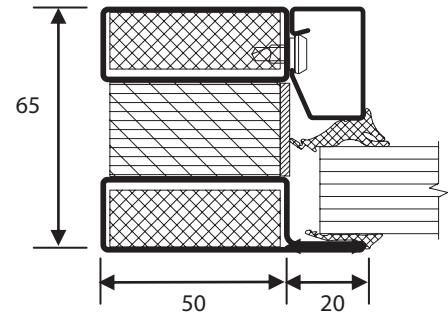
### FEATURES

- Fully certified to Australian Standards AS1530.4
- -/60/60 FRL using 23mm Pilkington Pyrostop™ for internal applications, and 27mm for external applications
- -/60/30 FRL using 18mm Pilkington Pyrostop™ for both internal and external applications
- Reduces radiant heat transmission by 98%
- Internal and External applications
- Light transmission comparable to 5mm float glass
- Forster® Fuego Light triple insulated framing system
- Class A impact rated to AS2208
- Multi pane systems available using mullion and transom
- Arched windows
- Can be integrated into steel framed -/60/30 glass fire doors (*Refer metal glass fire door tech sheet FD-06 for more information*)
- Standard finish is Prime Painted, ready for undercoating and top coat
- Adjacent wall constructions including continuous screens, lightweight plasterboard walls and masonry walls

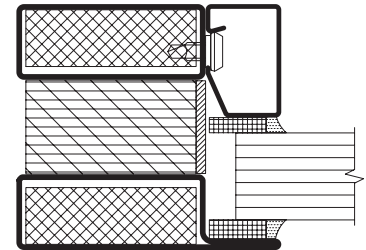
### OPTIONAL EXTRAS

- Stainless Steel frames
- Powdercoating

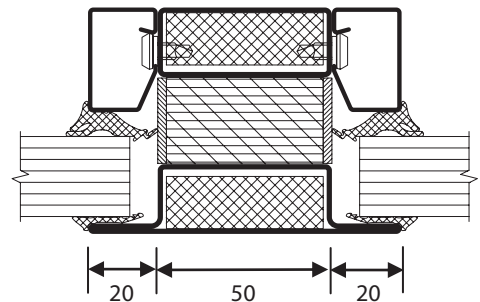
### PROFILES



**Standard profile with rubber beading (internal application)**



**Standard profile with silicone beading (internal or external application)**



**Standard mullion and transom profile**

### MODELS AVAILABLE

Model	FRL	Glass Thickness	Max pane size
PFWS-PS60/60	-/60/60	23 or 27mm	2865 (h) x 1465mm(w)
PFWS-PS60/30	-/60/30	18mm	2830 (h) x 1320mm(w)

### HOW TO SPECIFY

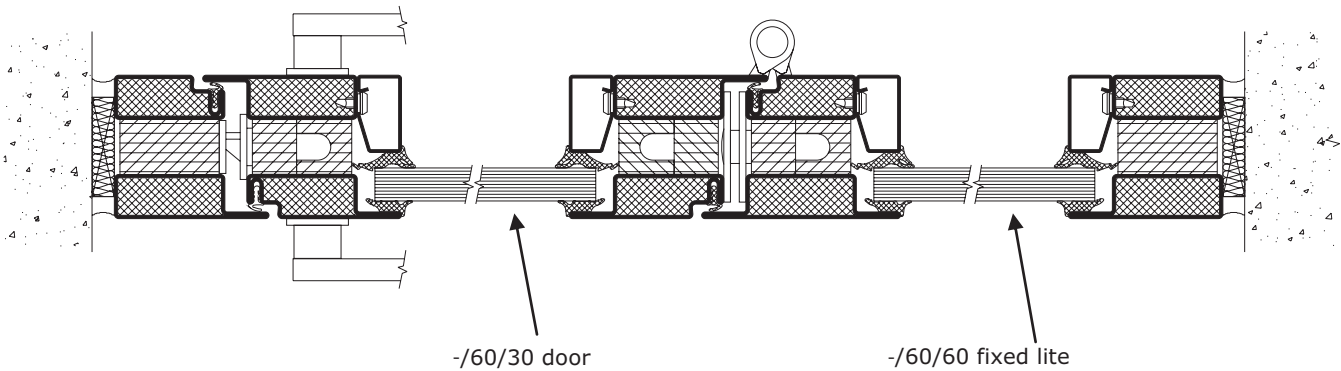
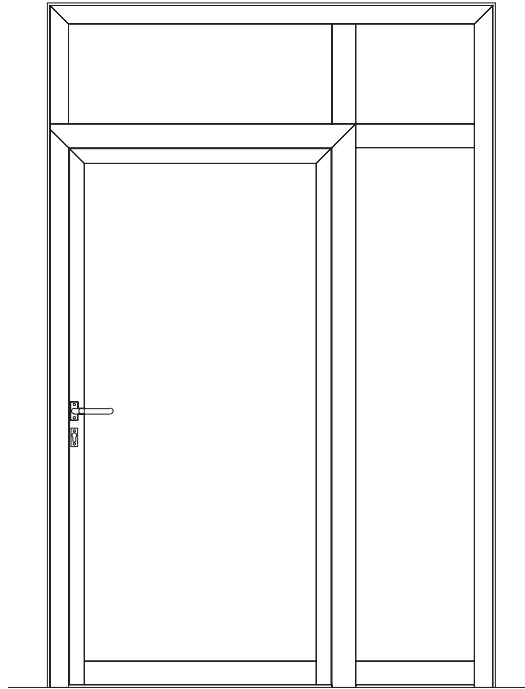
Eg, "Window to be Pyropanel Fire Window PFWS-PS60/60 , -/60/60 FRL, incorporating Forster steel frame and 23mm / 27mm\* Pilkington Pyrostop™ glass, with rubber beading / silicone weather seal\*. System available from Pyropanel Developments"

\* denotes example - delete, change or specify as required

**FIRE RATED GLAZING**

Pyrostop -/60/60 and -/60/30 fire window

**TYPICAL FIXED LITE / DOOR ASSEMBLY**



**GLASS DATA**

Product	Nominal Thickness (mm)	Application	Integrity (mins)	Insulation (mins)	Sound Reduction** (db)	Light transmission %	U-Value (W/m <sup>2</sup> k)	Approx weight of glass (kg/m <sup>2</sup> )	Approx weight of glass and frame (kg/m <sup>2</sup> )
Pyrostop™	18	Internal / External	60	30	38	85	5	42	55
Pyrostop™	23	Internal	60	60	40	88	5	55	68
Pyrostop™	27	Internal / External	60	60	41	86	4.8	63	76

**Pyropanel Developments Pty Ltd**  
235 Huntingdale Rd, Oakleigh, Vic 3166  
Ph: (03) 9837 8500 Fax: (03) 9837 8550  
Email: [sales@pyropanel.com.au](mailto:sales@pyropanel.com.au)  
Web: [www.pyropanel.com.au](http://www.pyropanel.com.au)

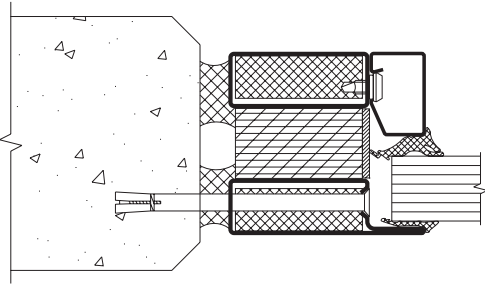


**Distributed by:**  
**Australian Commercial Doors**  
P: (03) 9720 5766  
F: (03) 9720 5388  
E: [sales@acdoors.com.au](mailto:sales@acdoors.com.au)

# FIRE RATED GLAZING

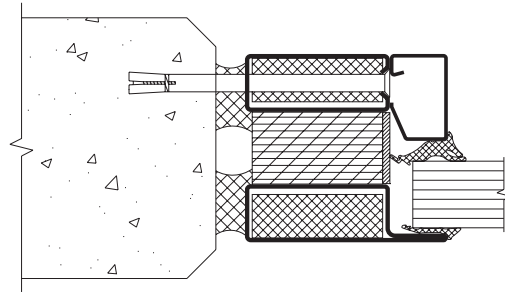
## Pyrostop -/60/60 and -/60/30 fire

### WALL ABUTMENTS AND BUILDING IN DETAILS



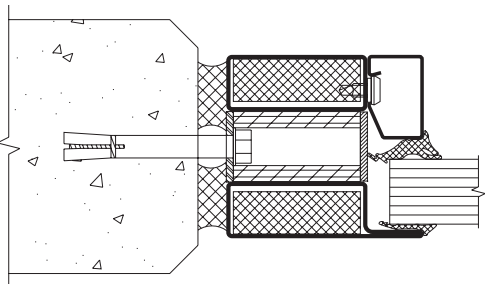
#### Fixing type FTFL01

M6 Flat head Dynabolt into masonry wall at max 600mm centers. Can only be used for site glazed applications. Fixings to 3 sides minimum.



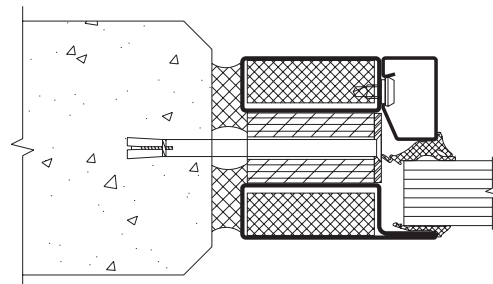
#### Fixing type FTFL02

M6 Flat head Dynabolt into masonry wall at max 600mm centers. Can only be used for site glazed applications. Fixings to 3 sides minimum.



#### Fixing type FTFL03

M6 Flat head Dynabolt into masonry wall at max 600mm centers. Can only be used for site glazed applications. Fixings to 3 sides minimum.



#### Fixing type FTFL04

M6 Flat head Dynabolt into masonry wall at max 600mm centers. Can only be used for site glazed applications. Fixings to 3 sides minimum.

#### Pyropanel Developments Pty Ltd

235 Huntingdale Road, Oakleigh, Vic 3166  
Ph: (03) 9837 8500 Fax: (03) 9837 8550  
Email: [sales@pyropanel.com.au](mailto:sales@pyropanel.com.au)  
Web: [www.pyropanel.com.au](http://www.pyropanel.com.au)



#### Distributed by:

**Australian Commercial Doors**

P: (03) 9720 5766  
F: (03) 9720 5388  
E: [sales@acdoors.com.au](mailto:sales@acdoors.com.au)