

# FIRE RATED GLAZING

## Pyrostop -/120/120 fire window

### DESCRIPTION

Insulated steel framed fire rated window providing 120 minutes integrity and 120 minutes of insulation protection with perfectly clear Pilkington Pyrostop™ insulating glass, this system is a great solution for applications requiring certified fire resistance for both integrity and insulation and the added safety benefit of radiation protection.

### APPLICATIONS

Fire escapes, smoke lobbies, computer rooms, car parks and factories, boundary walls, or wherever there is a need for integrity and insulation protection, with the need to protect the building and occupants against the spread of fire due to radiant heat transmission.

### FEATURES

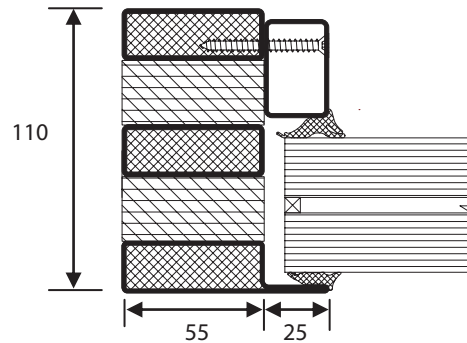
- Fully certified to Australian Standards AS1530.4
- -/120/120 FRL using 52mm Pilkington Pyrostop™ for internal applications, and 56mm for external applications
- Reduces radiant heat transmission by over 98%
- Internal and External applications
- Very high light transmission value
- Forster® insulated framing system
- Class A impact rated to AS2208
- Single or Multiple panes up to 2400h x 1415w (visible) (2560 x 1575 overall frame size) (**recommended max size: 1.5m<sup>2</sup> due to weight of system - Larger sizes are available upon request, however highly specialised lifting and glazing equipment will be required**)
- Arched windows
- Standard finish is Prime Painted, ready for undercoating and top coat

### OPTIONAL EXTRAS

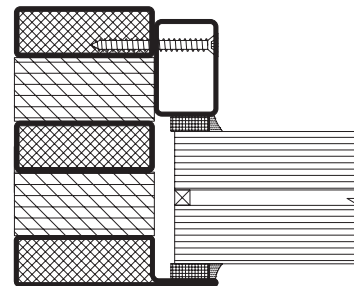
- Powdercoating

### MODELS AVAILABLE

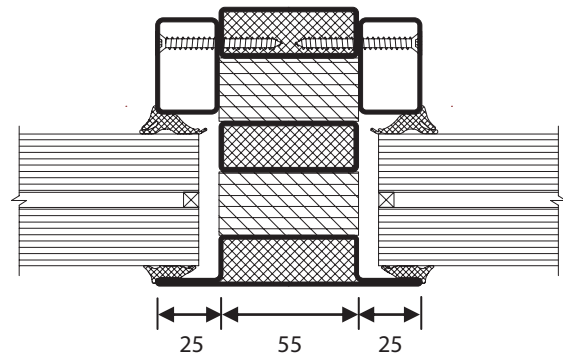
Model	FRL	Glass Thickness	Max Pane Size (Visible)
PFWS-PS120/120	-/120/120	52 or 56mm	2400(h) x 1415mm(w)



Standard profile with rubber beading (internal application)



Standard profile with silicone beading (internal or external application)



Standard mullion and transom profile

### HOW TO SPECIFY

Eg, "Window to be fully tested and certified Pyropanel Fire Window **PFWS-PS120/120**, -/120/120 FRL, incorporating Forster insulated steel frame and 52 / 56mm\*Pilkington Pyrostop™ clear intumescent glass, with rubber beading / silicone weather seal\*. System available from Pyropanel Developments"

\* denotes example - delete, change or specify as required

# FIRE RATED GLAZING

## Pyrostop -/120/120 fire window

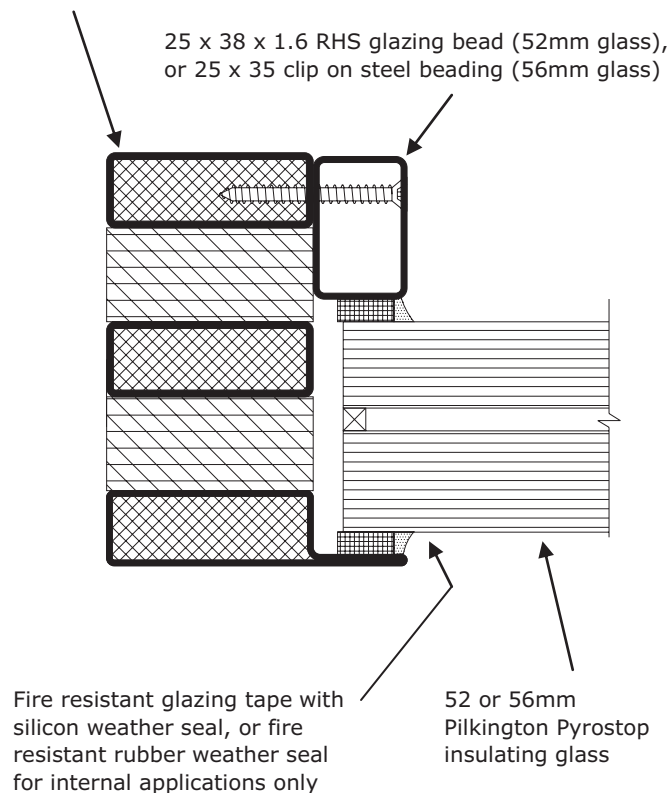
**GLASS DATA**

Product	Nominal Thickness (mm)	Application	Integrity (mins)	Insulation (mins)	Sound Reduction** (db)	Light transmission %	U-Value (W/m <sup>2</sup> k)	Approx weight of glass (kg/m <sup>2</sup> )	Approx weight of glass and frame (kg/m <sup>2</sup> )
Pyrostop™	52 IGU (23+6+23)	Internal	120	120	42	78	2.8	106	130
Pyrostop™	56 IGU (27+6+23)	Internal / External	120	120	47	77	2.8	125	150

**SYSTEM DETAILS**
**Standard system**

- Off set glazing
- Silicon weather sealing for internal or external applications (wet glazing), or optional rubber weather stripping for internal application only (dry glazing)

Insulated steel window frame

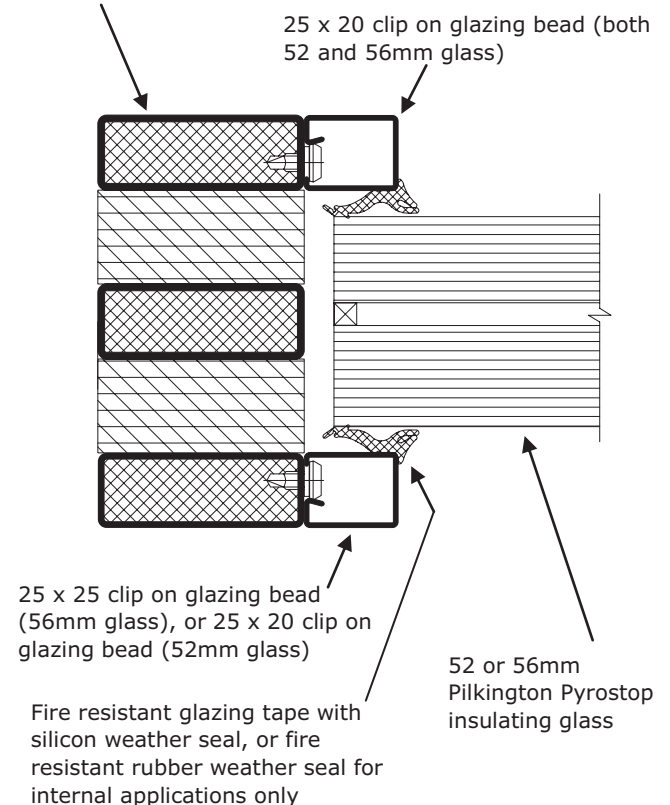


**Standard off set glazing profile**  
(internal or external application)

**Optional glazing system**

- Centre glazing
- Silicon weather sealing for internal applications only (wet glazing), or optional rubber weather stripping for internal application only (dry glazing)
- Frame profile may require extended lead times

Insulated steel window frame

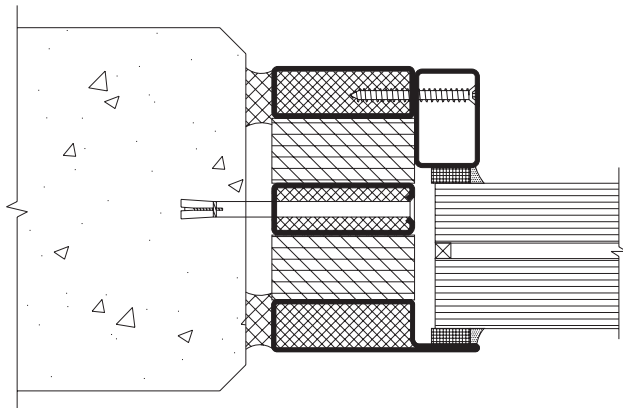


**Alternative centre line glazing profile**  
(internal application only)  
**Note: this frame profile may require extended lead times**

# FIRE RATED GLAZING

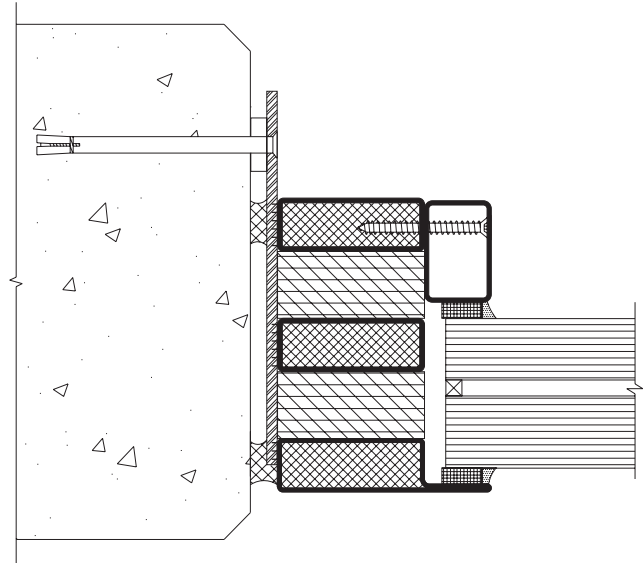
## Pyrostop -/120/120 fire window

### BUILDING IN AND FIXING TYPE DETAILS



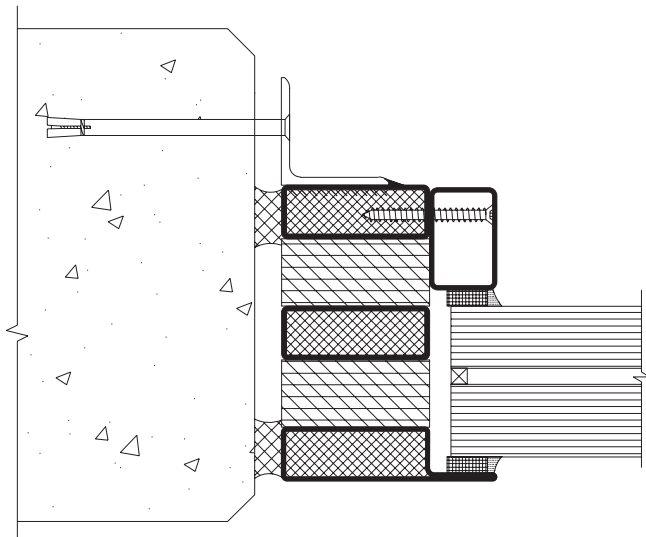
#### Fixing type FTFC01

M6 Flat head Dynabolt into masonry wall through steel frame, at max 600mm centers. Can only be used for site glazed applications. Fixings to 3 sides minimum (4 recommended)



#### Fixing type FTFC03

M6 Dynabolt into masonry wall through 150 x 50 x 2.5 welded steel plate at max 600mm centers. Can be used for factory glazed or site glazed applications. Fixings to 3 sides minimum (4 recommended)



#### Fixing type FTFC02

M6 Dynabolt into masonry wall through 75 x 75 x 3mm welded steel angle sections at max 600mm centers. Can be used for factory glazed or site glazed applications. Fixings to 3 sides minimum (4 recommended).

### Pyropanel Developments Pty Ltd

235 Huntingdale Rd, Oakleigh, Vic 3166  
 Ph: (03) 9837 8500 Fax: (03) 9837 8550  
 Email: [sales@pyropanel.com.au](mailto:sales@pyropanel.com.au)  
 Web: [www.pyropanel.com.au](http://www.pyropanel.com.au)



### Distributed by:

**Australian Commercial Doors**

P: (03) 9720 5766

F: (03) 9720 5388

E: [sales@acdoors.com.au](mailto:sales@acdoors.com.au)