

FIRE RATED GLAZING

Pyrostop -/60/30 timber framed fire window

DESCRIPTION

Timber framed fire rated window providing one hour of integrity and 30 minutes of insulation protection with perfectly clear Pilkington Pyrostop™ insulating glass, with an FRL of -/60/30. Suitable for internal and external applications.

APPLICATIONS

Domestic houses, fire escapes, smoke lobbies, computer rooms, car parks and factories, boundary walls, or wherever there is a need for integrity and insulation protection, and the need to protect the building and occupants against the spread of fire due to radiant heat transmission.

FEATURES

- Fully certified to Australian Standards AS1530.4
- -/60/30 FRL using 18mm Pilkington Pyrostop™ glass
- Pyropanel® special fire rated timber framing system with proprietary fire rated gaskets and sealants
- Reduces radiant heat transmission by up to 98%
- Internal and external applications
- Light transmission comparable to 5mm float glass
- Class A impact rated to AS2208
- Multi pane systems available using mullion and transom
- Frames can be painted, stained, or lacquered

OPTIONAL EXTRAS

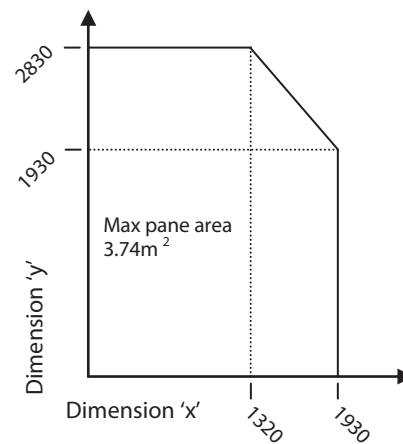
- Custom frame profiles available on request

MODELS AVAILABLE

Model	FRL	Glass Thickness	Frame type	Max Visible Area
PFWT-PS60/30	-/60/30	18mm	Pyropanel® fire rated timber	3.59m ²

MAXIMUM PANE SIZES

Maximum pane dimension 'y' (actual glass pane size) (mm)	Maximum pane dimension 'x' (actual glass pane size) (mm)	Maximum Pane area	Max visible size	Approx max overall pane size including frame
2830	1320	3.74m ²	2796 x 1286 (3.59m ²)	2896 x 1386
1930	1930	3.74m ²	1896 x 1896 (3.59m ²)	1996 x 1996



Maximum pane dimensions

Note: Dimensions 'x' and 'y' can be either horizontal or vertical (portrait or landscape). Any size is approved within the area under the graph, provided that the maximum sizes are not exceeded as per this graph, and provided that the maximum glass pane size is not greater than 3.74m² (3.59m² visible).

HOW TO SPECIFY

Eg, "Window to be fully tested and certified Pyropanel Timber Fire Window **PFWT-PS60/30**, -/60/30 FRL, incorporating Pyropanel fire rated timber window framing system and 18mm Pilkington Pyrostop™ clear intumescent glass. System available from Pyropanel Developments"

* denotes example - delete, change or specify as required

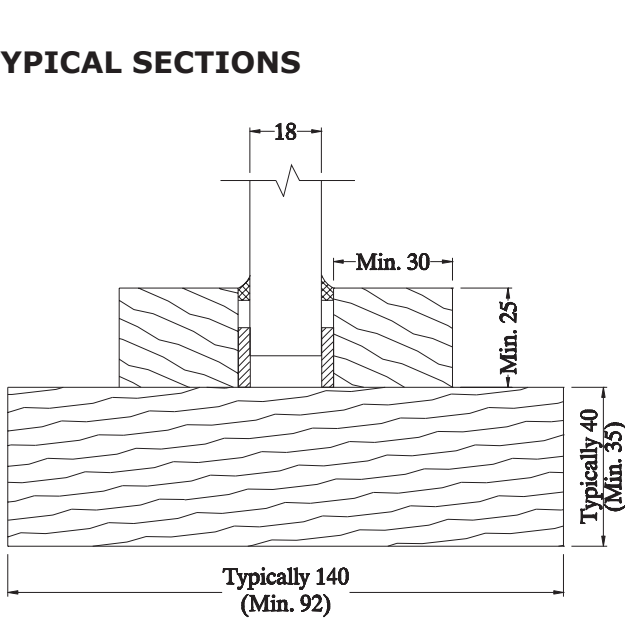
FIRE RATED GLAZING

Pyrostop -/60/30 timber framed fire window

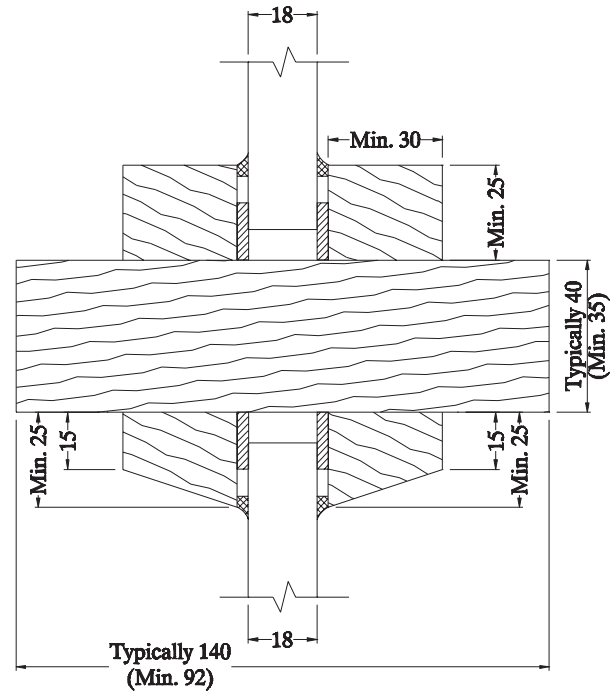
GLASS DATA

Product	Nominal Thickness (mm)	Application	Integrity (mins)	Insulation (mins)	Sound Reduction** (db)	Light transmission %	U-Value (W/m ² k)	Approx weight of glass (kg/m ²)	Approx weight of glass and frame (kg/m ²)
Pyrostop™	18	Internal / External	60	30	38	85	5	42	55

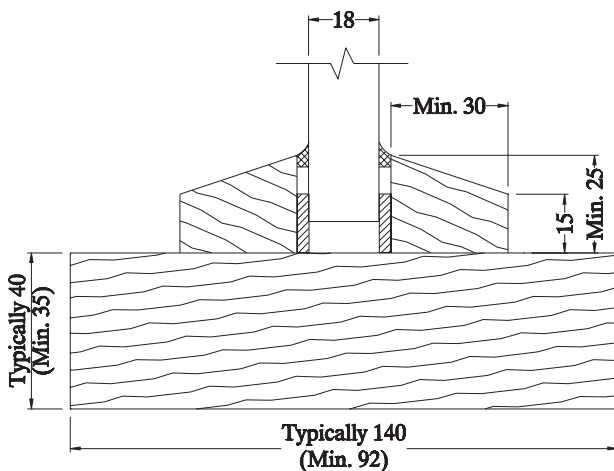
TYPICAL SECTIONS



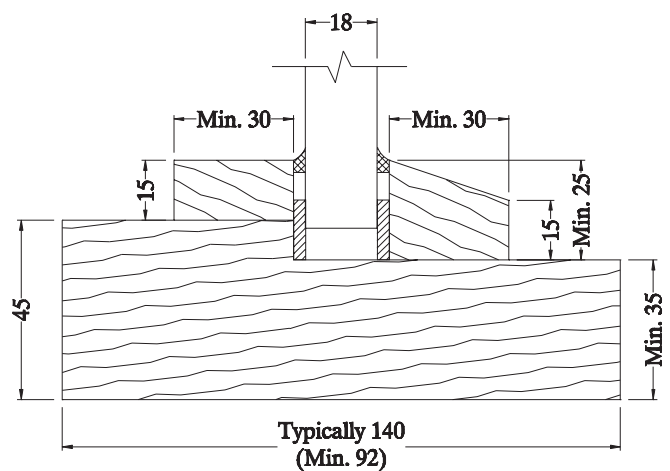
Typical section with standard square edge beading



Typical Mullion / transom section showing standard square edge beading or angled beading (optional)



Typical section with optional angled beading



Typical section with optional rebate for external applications

Pyropanel Developments Pty Ltd
 235 Huntingdale Road, Oakleigh, Vic 3166
 Ph: (03) 9837 8500 Fax: (03) 9837 8550
 Email: sales@pyropanel.com.au
 Web: www.pyropanel.com.au



Distributed by:
Australian Commercial Doors
 P: (03) 9720 5766
 F: (03) 9720 5388
 E: sales@acdoors.com.au