

FIRE DOOR LEAVES

Metal glass fire doors

DESCRIPTION

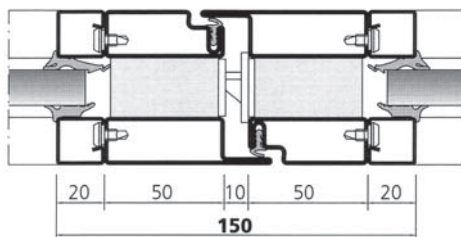
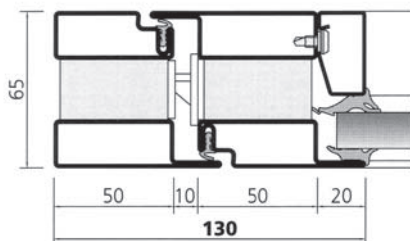
Fully glazed fire door incorporating the Forster insulated steel framing system, door frame and associated hardware, available in single and pair combinations with insulated top and side lites optional.

APPLICATIONS

Ideal for most applications that require a 1 hour certified fire door with the benefits and safety of transparent fire rated glazing, especially for fire escapes in residential complexes, hospitals, schools, car parks, shopping centres, shops, computer rooms, offices, public buildings, luxury residential high rise developments, etc.

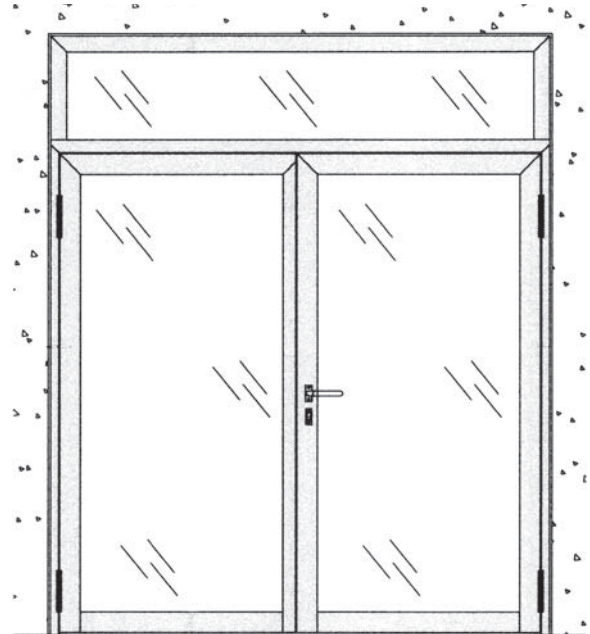
FEATURES

- Fully certified to Australian Standards.
- /60/30 FRL in single and pairs configurations.
- For use in 1 hr and 2 hr plasterboard stud walls, fire rated masonry walls, gypsum block walls, aerated concrete blocks and wall panels. Refer to Pyropanel if your wall type is not listed.
- 65mm x 70mm slim line profile.
- Incorporates 18mm Pilkington Pyrostop Fire rated glass with A-class impact resistance.
- Comes standard with twin perimeter smoke seals and optional bottom drop seal.
- Insulated steel door frame included.
- Variety of stainless steel handles and hardware available.
- Leaves weigh approx 55kg/m².



OPTIONAL EXTRAS

- Powder coating
- Stainless steel frame.
- /60/-, -/30/30 and -/60/60 and ratings also available for pairs and single configurations.
- Integrated top and side lites in fire ratings including -/30/-, -/60/-, -/60/30, -/60/60, -/90/90, and -/120/120 using an integrated insulated steel framing system are also available.
- Certified smoke leakage data is available - Refer to Pyropanel for more information.



MODELS AVAILABLE

Model	FRL	Thickness	Max Leaf size - Single	Max Leaf size - Pair
PGMFD060-65	-/60/30	65mm	2400 x 1200	2400 x 1200/1200

HOW TO SPECIFY

Eg, "Door to be a Pyropanel PGMFD060-65 Metal edged Glass Fire Rated Door, 65mm thick profile, -/60/30 FRL, incorporating 18mm Pilkington Pyrostop fire rated glass, mounted in integrated 65mm Fire rated door frame, prime paint / powdercoat / stainless steel* finish, incorporating certified Dorma Closer and sequence selector, and approved door hardware as required."

* denotes example - delete, change or specify as required

Pyropanel Developments Pty Ltd
 235 Huntingdale Rd, Oakleigh, Vic 3166
 Ph: (03) 9837 8500 Fax: (03) 9837 8550
 Email: sales@pyropanel.com.au
 Web: www.pyropanel.com.au

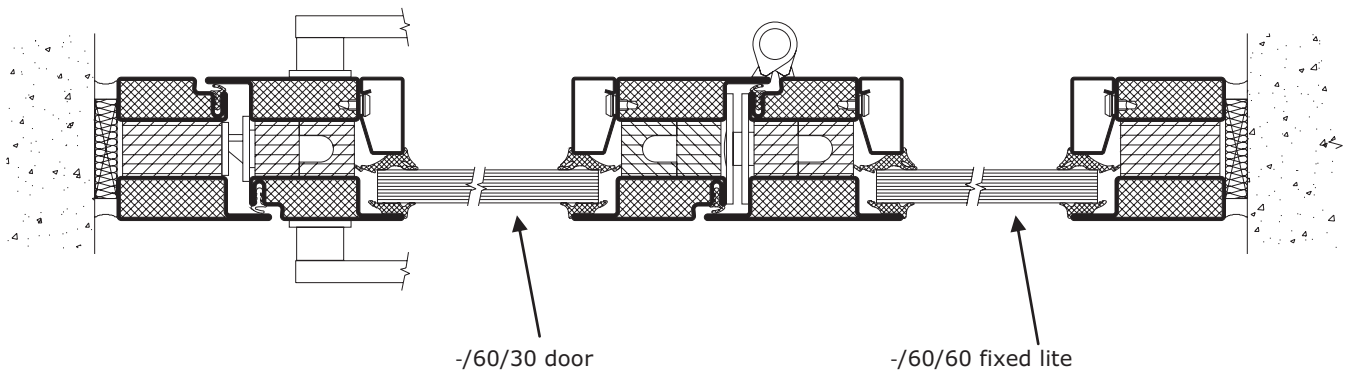
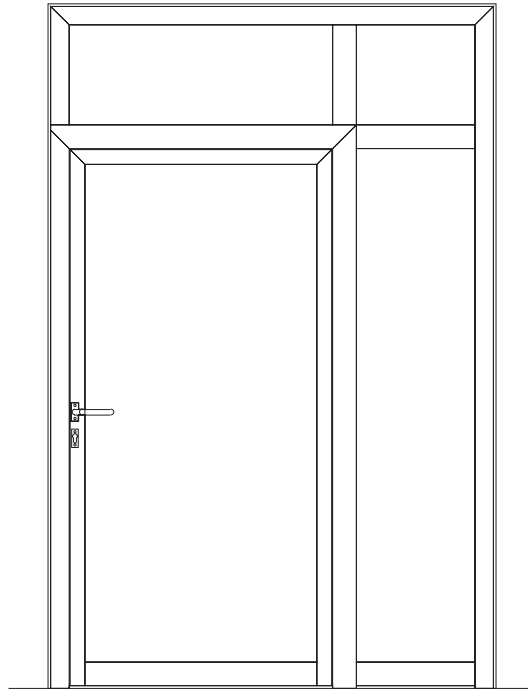


Distributed by:
Australian Commercial Doors
 P: (03) 9720 5766
 F: (03) 9720 5388
 E: sales@acdoors.com.au

FIRE DOOR LEAVES

Metal glass fire doors

TYPICAL FIXED LITE / DOOR ASSEMBLY



GLASS DATA

Product	Nominal Thickness (mm)	Application	Integrity (mins)	Insulation (mins)	Sound Reduction** (db)	Light transmission %	U-Value (W/m ² k)	Approx weight of glass (kg/m ²)	Approx weight of glass and frame (kg/m ²)
Pyrostop™	18	Internal / External	60	30	38	85	5	42	55
Pyrostop™	23	Internal	60	60	40	88	5	55	68
Pyrostop™	27	Internal / External	60	60	41	86	4.8	63	76

Pyropanel Developments Pty Ltd
 235 Huntingdale Rd, Oakleigh, Vic 3166
 Ph: **(03) 9837 8500** Fax: (03) 9837 8550
 Email: sales@pyropanel.com.au
 Web: www.pyropanel.com.au



Distributed by:
Australian Commercial Doors
 P: **(03) 9720 5766**
 F: **(03) 9720 5388**
 E: sales@acdoors.com.au