

LIFE SAFETY DOOR

LSD-30-C/M/HS

TECH SHEET: LSD-30-C/M/HS

Issue: 02-08-2011

Tested and Certified Fire, Smoke and Acoustic door

DESCRIPTION

30 minute Fire Rated Life Safety Door that has been tested and certified for fire resistance as per AS1530.4, tested and certified for smoke leakage as per AS1530.7, incorporating a variety of high performance cold / medium smoke seals and intumescent hot smoke seals.

APPLICATIONS

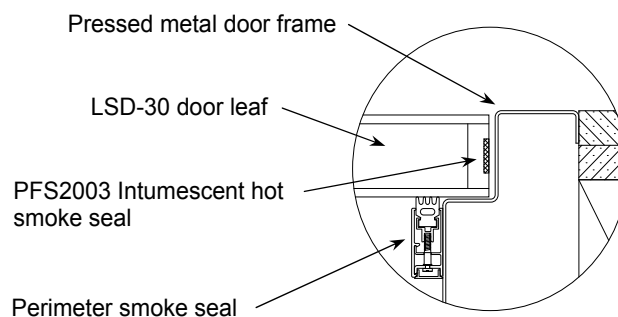
Ideal for Apartment entry doors or anywhere that requires 30 minutes of certified fire resistance, smoke resistance and acoustic resistance.

FEATURES

- **SMOKE RESISTANCE (SRL):** COLD / MEDIUM / HOT
- **FIRE RESISTANCE (FRL):** -/30/30
- Tested and certified to AS1530.7 for Smoke Leakage
- Tested and certified to AS1530.4 for Fire Resistance
- Some acoustically tested (with filled metal or timber frame)
- 1.2mm or 1.4mm Pressed Metal Frames, or Fire Rated Plantation Timber Frames
- 48mm and 38mm thick, Single and Pair assemblies
- Environmentally friendly non-timber core
- Fully tagged with FRL and SRL door tags
- Lighter than conventional 'solid-core' doors (leaf weight approximately 22kg/m² for 48mm thick door)
- Maximum size - Singles - 2400 x 1020mm (48mm)
- 2040 x 820mm (38mm)
- Pairs - 2400 x 1020mm per leaf (48mm)
- Meets the deemed to satisfy provisions for Smoke Doors found in Specification C3.4 Clause 3.2(b) of the BCA
- All pair assemblies are smoke tested with Pyropanel J-Section meeting Stiles.

OPTIONAL EXTRAS

- MDF, Ply or Laminate facings
- Solid hardwood frames
- Steel frames
- Vision panels - 300 x 200 or 600 x 100mm.
- Kick Panels of 1mm Stainless Steel to selected height
- Euroseal frame profile (see LSD-30-C/M/HS/EU)
- Pre-hung assembly available
- -/- and -/60/30 models available (see LSD-0-C/M/HS and LSD-60-C/M/HS)



HOW TO SPECIFY

"Door to be a Pyropanel Life Safety Door LSD-30-C/M/HS or **equally tested and certified** with Pressed Metal /Fire Rated Timber* door frames, 48mm* thick, -/30/30 FRL, certified smoke leakage, MDF/Ply face*, with RP78Si*, PFS2003 and RP99Si* smoke seals, and the following options: (eg, vision panels, kick panels, etc),"

* denotes example - delete, change or specify as required

MORE INFORMATION

For more information on the range of Pyropanel Life Safety Doors, please refer to the Life Safety Door System Guide available for download at www.pyropanel.com.au.

SEAL COMBINATIONS

Frame Details	Leaf Thickness (mm)	Cold/Medium perimeter Smoke Seal	Hot smoke seal	Bottom Seal	Smoke Leakage (2040x820 single) (@10Pa)	Smoke Certificate (820 single)	Rw 48/38mm
Pressed metal or Fire Rated timber	48 or 38	RP78Si#	PFS2003#	RP99Si* (SM)	<2m ³ /h	SFC40973	28 / -
Fire Rated plantation timber	48 or 38	RP10Si	RP76Si	RP8Si (FM)	<2m ³ /h	SFC40961	- / -
Pressed metal or Fire Rated timber	48 or 38	RP24Si	PFS2003	RP38Si (SM)	<2m ³ /h	SFC40974	30 / -

Note: # indicates default seal combination (supplied unless other seals specified)
Bottom Seal Orientation: SM- Semi Morticed, FM- Fully Morticed, S- Surface Mounted



Pyropanel Developments Pty Ltd
122-124 Beresford Rd, Lilydale, VIC, 3140
Ph: (03) 9739 3100 Fax: (03) 9739 3115
Email: sales@pyropanel.com.au
Web: www.pyropanel.com.au

Distributed by:



Australian Commercial Doors Pty Ltd
P: 03 9720 5766
F: 03 9720 5388
sales@acdoors.com.au