

# LIFE SAFETY DOOR

## LSD-60-C/MS

### TECH SHEET: LSD-60-C/MS

Issue: 02-08-2011

**Tested and Certified Fire, Smoke and Acoustic door**

### DESCRIPTION

60 minute Fire Rated Life Safety Door that has been tested and certified for fire resistance as per AS1530.4, tested and certified for smoke leakage as per AS1530.7, incorporating a choice of high performance cold / medium smoke seals.

### APPLICATIONS

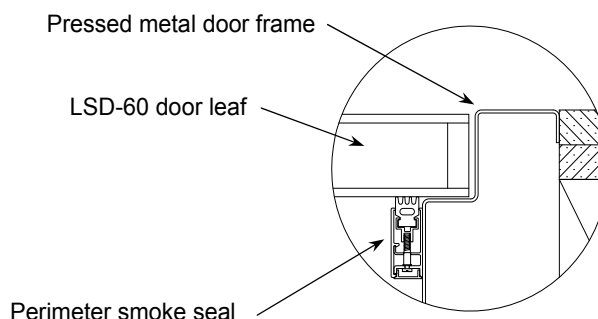
Ideal for Apartment entry doors or anywhere that requires 60 minutes of certified fire resistance, smoke resistance and acoustic resistance.

### FEATURES

- **SMOKE RESISTANCE (SRL):** COLD / MEDIUM
- **FIRE RESISTANCE (FRL):** -/60/30
- Tested and certified to AS1530.7 for Smoke Leakage
- Tested and certified to AS1530.4 for Fire Resistance
- Some acoustically tested (filled metal or timber frame)
- 1.2mm or 1.4mm Pressed Metal Frames, or Fire Rated Plantation Timber Frames
- 48mm and 38mm thick, Single and Pair assemblies
- Environmentally friendly non-timber core
- Fully tagged with FRL and SRL door tags
- Lighter than conventional 'solid-core' doors (leaf weight approximately 22kg/m<sup>2</sup> for 48mm thick door)
- Maximum size - Singles - 2400 x 1020mm (48mm)  
- 2040 x 820mm (38mm)  
- Pairs - 2400 x 1020mm per leaf (48mm)
- Meets the deemed to satisfy provisions for Smoke Doors found in Specification C3.4 Clause 3.2(b) of the BCA
- All pair assemblies are smoke tested with Pyropanel J-Section meeting Stiles. Contact Pyropanel for pair assembly and large door leakage certificates.

### OPTIONAL EXTRAS

- MDF, Ply or Laminate facings
- Solid hardwood frames
- Steel frames
- Vision panels - 300 x 200 or 600 x 100mm.
- Kick Panels of 1mm Stainless Steel to selected height
- Euroseal frame profile (see LSD-60-C/MS/EU)
- Pre-hung assembly available
- -/- and -/30/30 models available (see LSD-0-C/MS and LSD-30-C/MS)



### HOW TO SPECIFY

*"Door to be a Pyropanel Life Safety Door LSD-60-C/MS or equally tested and certified with Pressed Metal /Fire Rated Timber\* door frames, 48mm\* thick, -/60/30 FRL, certified smoke leakage, MDF/Ply face\*, with RP78Si\* perimeter seal, and RP99Si\* bottom seal, and the following options: (eg, vision panels, kick panels, etc)."*

\* denotes example - delete, change or specify as required

### MORE INFORMATION

For more information on the range of Pyropanel Life Safety Doors, please refer to the Life Safety Door System Guide available for download at [www.pyropanel.com.au](http://www.pyropanel.com.au).

### SEAL COMBINATIONS

Frame Details	Leaf Thickness (mm)	Cold/Medium perimeter Smoke Seal	Bottom Seal	Smoke Leakage 2040x820 single (@10Pa)	Smoke Certificate (820 single)	Rw
Pressed metal or Fire Rated timber	48	RP78Si <sup>#</sup>	RP99Si <sup>#</sup> (SM)	<2m <sup>3</sup> /h	SFC40973	28 / -
Pressed metal or Fire Rated timber	48	RP24Si	RP38Si (SM)	<2m <sup>3</sup> /h	SFC40974	30 / -

Note: # indicates default seal combination (supplied unless other seals specified)  
Bottom Seal Orientation: SM- Semi Morticed, FM- Fully Morticed, S- Surface Mounted



**Pyropanel Developments** Pty Ltd  
122-124 Beresford Rd, Lilydale, VIC, 3140  
Ph: (03) 9739 3100 Fax: (03) 9739 3115  
Email: [sales@pyropanel.com.au](mailto:sales@pyropanel.com.au)  
Web: [www.pyropanel.com.au](http://www.pyropanel.com.au)

### Distributed by:



**Australian Commercial Doors** Pty Ltd  
P: 03 9720 5766  
F: 03 9720 5388  
[sales@acdoors.com.au](mailto:sales@acdoors.com.au)