

FRAME PROFILES

MDF Fire Rated Frames

DESCRIPTION

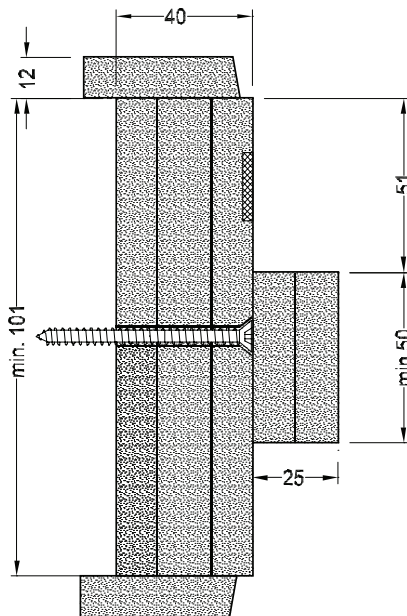
MDF Fire Door Frames suitable for use with all Pyropanel 48mm nom. Fire Door leaves for applications requiring up to 1 hour of Fire Resistance. Frames come with a pre installed paintable intumescent hot smoke seal.

APPLICATIONS

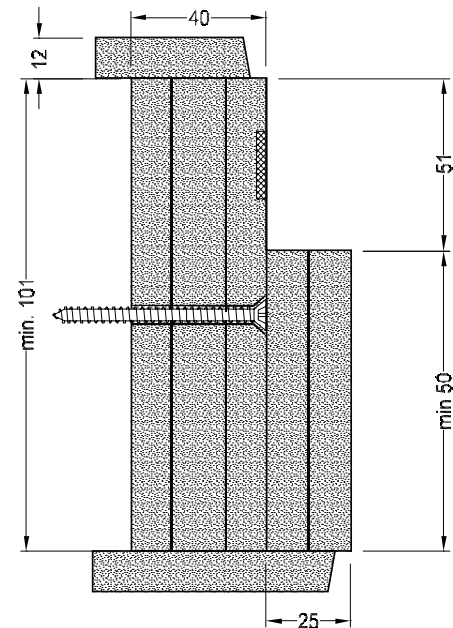
Ideal for most applications that require a certified fire door set with a MDF rated door frame, especially in residential complexes as unit entry doors, hospitals, schools, public buildings, etc., and applications that may experience high levels of airborne salt water.

FEATURES

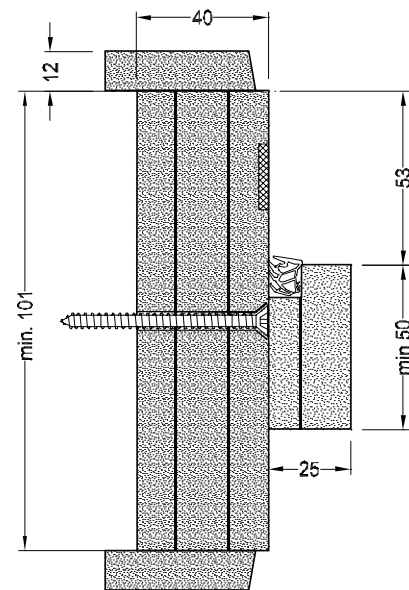
- Jamb dimensions - Min 101 mm x 40mm
- Door stop - 50 mm wide x 25mm deep (minimum) (custom sizes available)
- Integrated intumescent hot smoke seal
- Optional Euroseal® rebated door stop
- Manufactured from Laminated MDF
- Removeable door stop covers predrilled frame fixing holes
- No patching of fixing holes - save time and mess on s



Typical frame profile - note hidden frame fixings



Alternative frame profile - single rebate and hidden fixings



Euroseal frame profile - note hidden frame fixings

HOW TO SPECIFY

"Door frame to be a Pyropanel MDF Fire Rated Door Frame, fully certified and approved for use with Pyropanel 48mm nom. Fire Rated doors up to 1hr FRL, with integrated hot smoke seal and optional Euroseal rebate* ".

* denotes example - delete, change or specify as required