

FRAME PROFILES

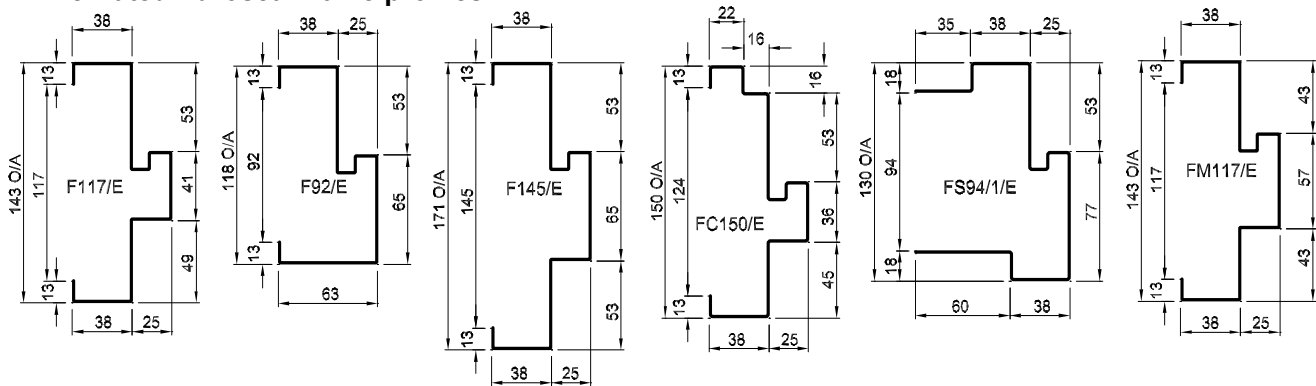
Euroseal® Fire Rated Frames

TECH SHEET: FRAME-03

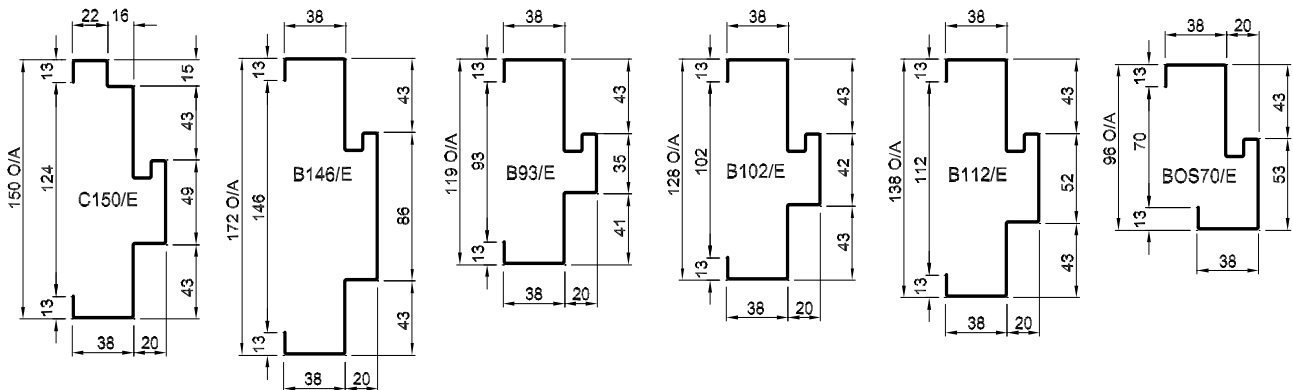
Issue: 06-09-11

Fire rated Pressed Metal door frames designed for use with Euroseal smoke seal

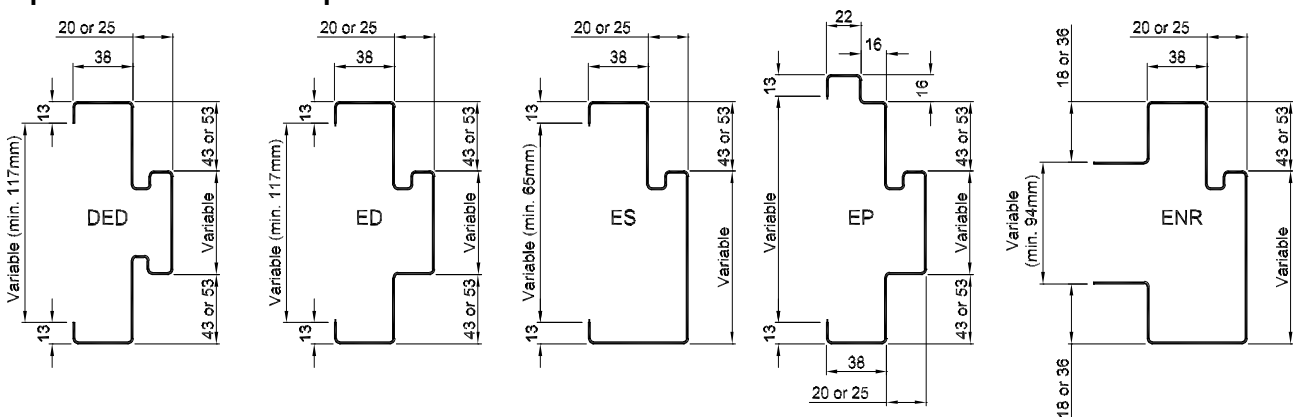
Fire Rated Euroseal frame profiles



Non-Fire Rated Euroseal frame profiles



Special Euroseal frame profiles



Note: When installed with appropriate door leaf, frames are fire rated up to 4 hours in masonry walls, and 2 hours in dry wall. Custom frame profiles available on request. Frames are typically 1.2-1.6 zincanneal unless otherwise requested.

HOW TO SPECIFY

"Door frame to be a Pyropanel F117/E Euroseal Prime painted pressed metal door frame. Builder to confirm door frame applicability".*

* denotes example—delete, change or specify as required



Pyropanel Developments Pty Ltd
 122-124 Beresford Rd, Lilydale, VIC, 3140
 Ph: (03) 9739 3100 Fax: (03) 9739 3115
 Email: sales@pyropanel.com.au
 Web: www.pyropanel.com.au

Distributed by:



Australian Commercial Doors Pty Ltd
 P: 03 9720 5766
 F: 03 9720 5388
 sales@acdoors.com.au